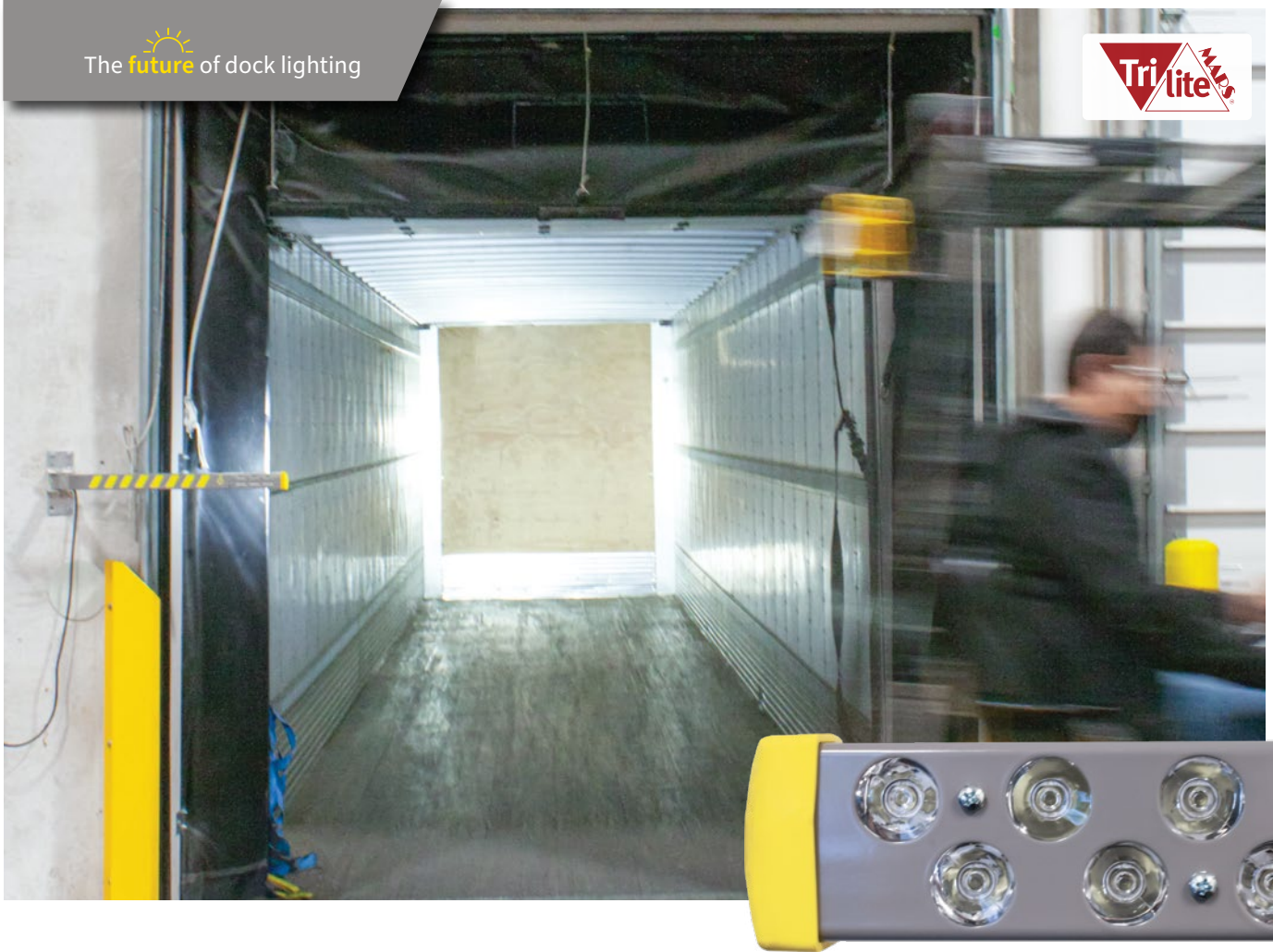


The **future** of dock lighting



Patented Design

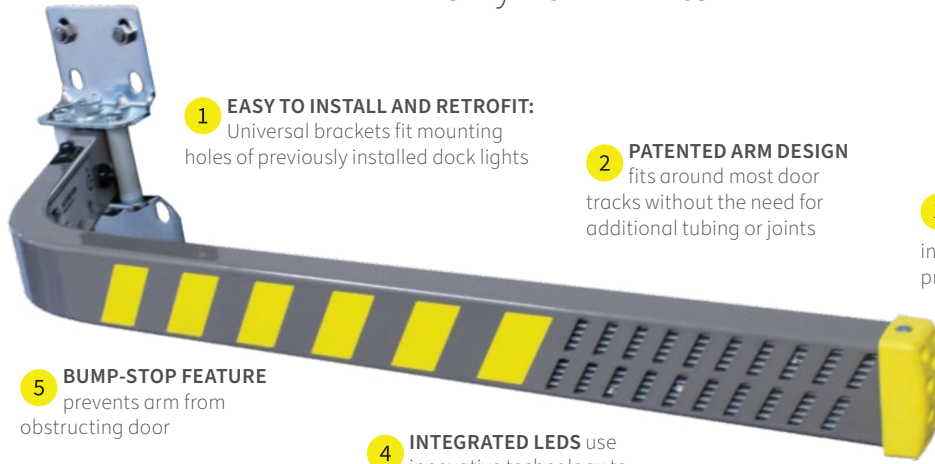
DL2 Series

The Next Generation of Dock Lights



Introducing the DL2 Series

Only from Tri Lite



1 EASY TO INSTALL AND RETROFIT:
Universal brackets fit mounting holes of previously installed dock lights

2 PATENTED ARM DESIGN
fits around most door tracks without the need for additional tubing or joints

3 SAFETY BUMPERS on arm and heads protect operators from injuries and mitigate damage to the product

5 BUMP-STOP FEATURE
prevents arm from obstructing door

4 INTEGRATED LEDS use innovative technology to efficiently light trailers without a light head



Superior Arm Design

- Our new rectangular tube design significantly increases the strength and weight capacity of any dock arm in the industry
- Patented arm design fits around virtually any door track and will not obstruct the door when it closes
- Universal bracket is designed to fit mounting holes from previous dock lights, making it easy to replace old dock lights with our new design
- Sleek, low-profile grey with safety yellow warning stripes enhance the aesthetic of standard and upgraded loading docks
- **More sizes to choose from:**
 - Single Arm length classes of 24" and 36"
 - Double Arm length classes of 40", 48" and 60"

Integrated LED Module

- **NEW! ONLY AT TRI LITE!**
- Our patented integrated LED module is the first of its kind and our sleekest design yet
- The **Integrated LED Loading Dock Light** eliminates the need for a light head, taking up less space and creating a minimalist and modern aesthetic to loading dock stations
- Lighter weight design makes it easier and safer to move the dock arm
- No additional power cord required for light head
- Light output is equivalent to our traditional LED modules
- Patented arm design prevents the integrated LED module from overheating



Optimized Light Heads

6 **LIGHT HEADS** for non-integrated models are more compact, with improved strength and durability

7 **HIGH QUALITY LEDs:** All light heads and integrated models use the highest quality LEDs from leading manufacturers



Heavy Duty LED Head
IP66 Rated
 HDL2 (no switch)
 HDL2-S (switch)



Polycarbonate LED Head
 PL2 (no switch)
 PL2-S (switch)



***Three-speed Fan**
 DLFAN

Revolutionized Light Heads

- Your favorite Tri Lite® light heads have been optimized to accommodate the latest technology
- Our sturdiest **IP66 rated Heavy Duty LED Light Head (HDL2)** and our economical **Polycarbonate Light Head (PL2)** are now more compact, with improved strength and durability
- Light heads are now equipped with a safety bumper to protect operators from injury and mitigate damage to the product
- Uses up to **94% less energy** ⚡ than traditional incandescent heads
- 100,000 hour life expectancy in typical applications (vs. 2,000 hours for typical incandescent lights)
- 3 year warranty on all light heads
- Additional accessories, such as our three-speed fan, may also be used with DL2 arms*

Why DL2?

Traditional Design

& traditional challenges



PROBLEM: Non-enclosed light modules can become damaged after impacts with door or machinery.



PROBLEM: Excessively bulky, taking up more space than necessary and can get in the way of forklift traffic.



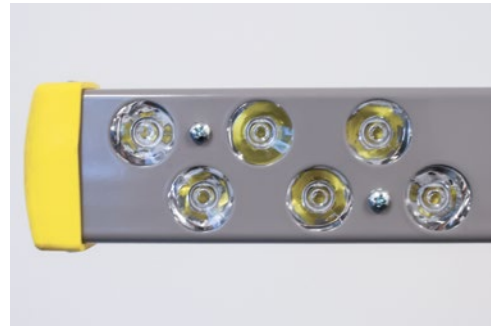
PROBLEM: Heavy equipment with no protection can cause injury to operators in case of head-on collision

DL2 Series Solutions

The future of dock lighting



SOLUTION: All light heads are enclosed and more durable than traditional models. HDL2 is IP66 rated.



SOLUTION: More compact light heads combined with optimized tubing design takes up less space in highly trafficked areas.



SOLUTION: Safety bumpers on the end of dock arms and around light heads protect operators from injuries

Why DL2?

Traditional Design

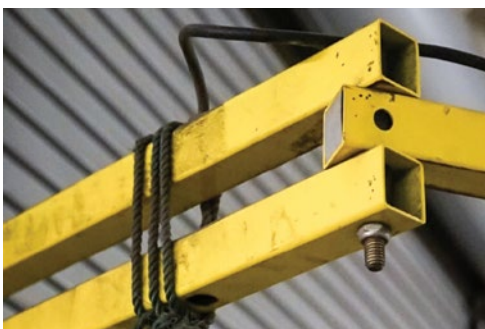
& traditional challenges



PROBLEM: Outdated aesthetics cause facilities to look "dated"



PROBLEM: Easy to close in door causing damage to door and dock light



PROBLEM: Prone to sagging after multiple encounters with doors or trucks

DL2 Series Solutions

The future of dock lighting



SOLUTION: Modernized aesthetics look sleek and professional and now include yellow safety stripes to alert operators



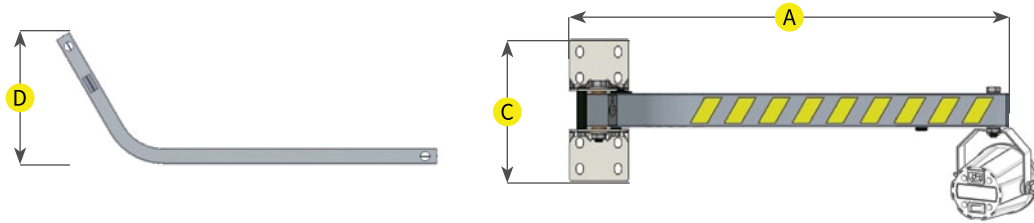
SOLUTION: Patented arm design and bump-stop feature prevents arm from obstructing door



SOLUTION: Rectangular tube design is less prone to sagging and can bear more weight compared to square design

Loading Dock Arms

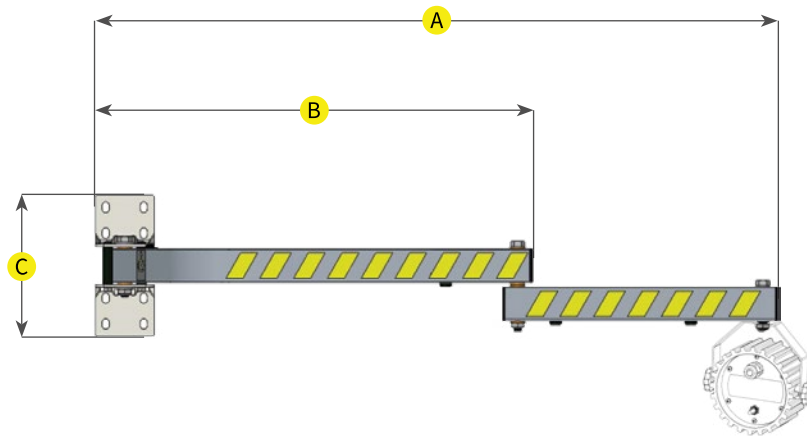
to be used with an accessory



Single Arm

Model	A	B	C	D	Accessories*
DL2-SA-24	24 in (610 mm)	N/A	8.5 in (216 mm)	8.5 in (216 mm)	PL2, PL2-S, HDL2, HDL2-S, DLFAN
DL2-SA-36	36 in (915 mm)	N/A	8.5 in (216 mm)	8.5 in (216 mm)	PL2, PL2-S, HDL2, HDL2-S, DLFAN

* Accessories sold separately. Non-integrated arms can hold accessories up to 30 lbs.



Double Arm

Model	A	B	C	D	Accessories*
DL2-DA-40	40 in (1016 mm)	24 in (610 mm)	8.5 in (216 mm)	8.5 in (216 mm)	PL2, PL2-S, HDL2, HDL2-S, DLFAN
DL2-DA-48	48 in (1219 mm)	24 in (610 mm)	8.5 in (216 mm)	8.5 in (216 mm)	PL2, PL2-S, HDL2, HDL2-S, DLFAN
DL2-DA-60	60 in (1524 mm)	36 in (915 mm)	8.5 in (216 mm)	8.5 in (216 mm)	PL2, PL2-S, HDL2, HDL2-S, DLFAN

* Accessories sold separately. Non-integrated arms can hold accessories up to 30 lbs.

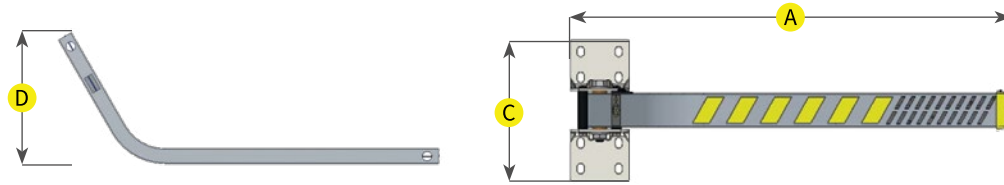
Wattage	Power Source	Lumens	Beam Angle	CRI	CCT	Life
13.4W	120V, 60 Hz	1331	10°	75	5000K	100,000 hours at 70% lumen maintenance

Compliances: cULus listed | IP66 Rated (HDL2) | LM79 report available upon request



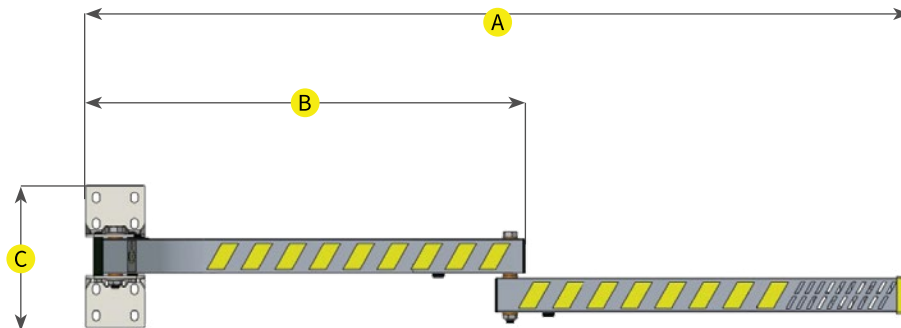
Loading Dock Arms

with integrated LEDs



Single Arm, Integrated

Model	A	B	C	D	Accessories
DL2-SA-IL-24	24 in (610 mm)	N/A	8.5 in (216 mm)	8.5 in (216 mm)	N/A
DL2-SA-IL-36	36 in (915 mm)	N/A	8.5 in (216 mm)	8.5 in (216 mm)	N/A



Double Arm, Integrated

Model	A	B	C	D	Accessories
DL2-DA-IL-40	40 in (1016 mm)	24 in (610 mm)	8.5 in (216 mm)	8.5 in (216 mm)	N/A
DL2-DA-IL-48	48 in (1219 mm)	24 in (610 mm)	8.5 in (216 mm)	8.5 in (216 mm)	N/A
DL2-DA-IL-60	60 in (1524 mm)	36 in (915 mm)	8.5 in (216 mm)	8.5 in (216 mm)	N/A

Wattage	Power Source	Lumens	Beam Angle	CRI	CCT	Life
13.4W	120V, 60 Hz	1331	10°	75	5000K	100,000 hours at 70% lumen maintenance

Compliances: cULus listed | LM79 report available upon request





The **future** of dock lighting

Contact Us

Tri Lite (a division of Bird-X, Inc.)
845 N Larch Ave, Suite 2
Elmhurst, IL 60126

Phone: (773) 384-7765
Toll-free: (800) 332-5250
E-mail: customerservice@triliteinc.com
Web: www.triliteinc.com

