

REPLACEMENT PARTS

USE ONLY GENUINE PENTALIFT REPLACEMENT PARTS



TO ENSURE PROPER FUNCTIONING, DURABILITY AND SAFETY OF THE PRODUCT, ONLY GENUINE PENTALIFT REPLACEMENT PARTS MUST BE USED. ALTERING THE PRODUCT FROM ITS ORIGINAL MANUFACTURED CONFIGURATION MUST NOT BE DONE. PENTALIFT EQUIPMENT CORPORATION DISCLAIMS ALL LIABILITY FOR FAILURE TO COMPLY WITH THIS WARNING. WARRANTIES ARE SPECIFICALLY DISCLAIMED IN THE EVENT THE PURCHASER FAILS TO COMPLY WITH THIS WARNING.

To expedite order processing when ordering parts, provide the following information to your Pentalift representative:

1. Model and Serial Number of equipment.
2. Part Number, Description and Quantity.
3. Shipping Instructions.

-HOLD DOWN BOX REPLACEMENT PARTS

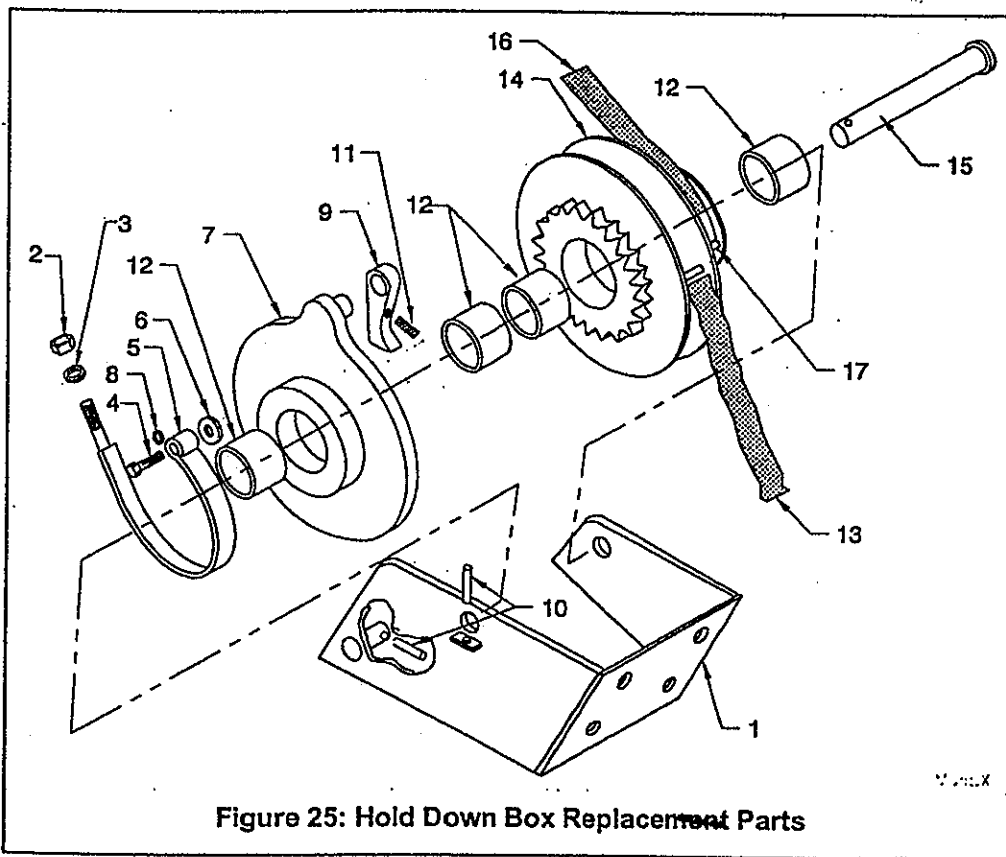


Figure 25: Hold Down Box Replacement Parts

Item #:	Part #:	Description:	Item #:	Part #:	Description:
1	802-0886	Housing	10	080-0001	Spring Pin
2	070-0059	Lock Nut	11	302-0674	Catch Spring
3	076-0025	Lock Washer	12	095-0000	Bushing
4	072-0121	Shear Pin	13	302-0420	Hold Down Strap
5	802-0963	Brake Band	14	302-0605	Drum
6	074-0018	Washer	15	302-0608	Shaft
7	302-0604	Drum Assembly	16	302-0417	Rewind Strap
8	076-0025	Lock Washer	17	087-0038	Plastic Dowel
9	302-0606	Hold Down Catch			

NOTE: State Model # and Serial # when ordering replacement parts.

WHOLE
ASSY.
802-0608