

PLAN VIEW - LOWER LEVEL

D	9/28/18	AEB	18.071
C	2/13/13	AEB	12.101
B	11/21/00	MRR	00.029
A	9/29/00	MN	00.019
REV	DATE	BY	ECN
REVISIONS			

NOTES:

- 1.) ALL DIMENSIONS SHOWN REPRESENTATIVE OF AVERAGE APPLICATIONS. THESE DIMENSIONS WILL CHANGE BASED ON APPLICATION SPECIFIC CONDITIONS.
- 2.) CONSULT FACTORY BEFORE CONSTRUCTION OF PIT.
- 3.) IF CARRIAGE IS OVER 8'-0" SQ. & 4000#, CONSULT FACTORY.
- 4.) LOAD HEIGHT IS RELEVANT TO THE OVERALL HEIGHT OF THIS UNIT.



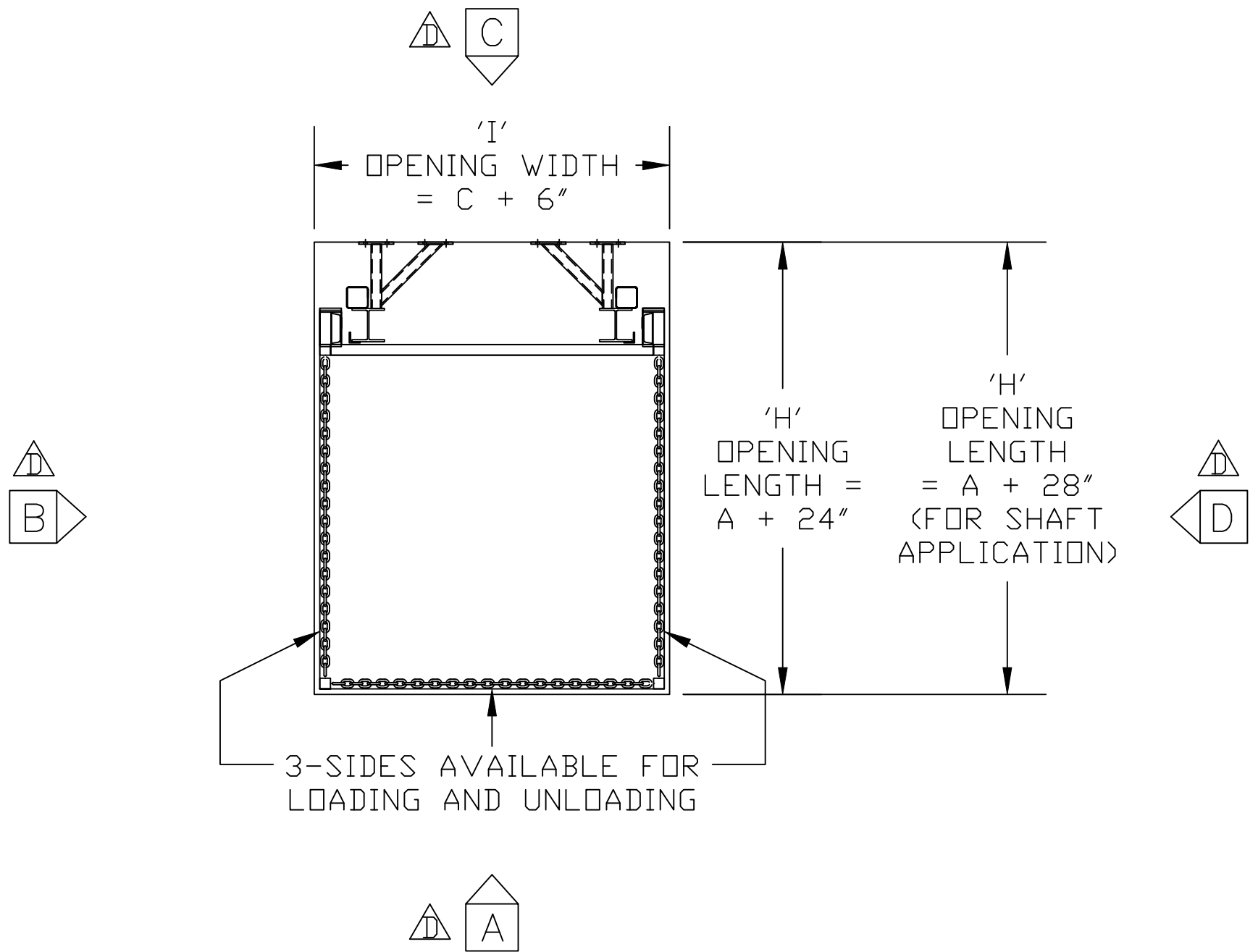
MATERIAL HANDLING SOLUTIONS

6720 N. TEUTONIA AVE.
MILWAUKEE, WI 53209
P (414) 352-9000
F (414) 352-9002

THIS PRINT INCLUDING THE DESIGN AND PRINCIPLES OF CONSTRUCTION IS THE PROPERTY OF PFLOW INDUSTRIES, INC. AND MUST BE RETURNED ON DEMAND. THE INFORMATION CONTAINED HEREON IS CONFIDENTIAL AND MAY NOT BE USED NOR DIVULGED WITHOUT PERMISSION OF PFLOW INDUSTRIES, INC.

TITLE **SERIES M (CANTILEVER) DIMENSIONAL INFORMATION**

DATE	3/19/96	SCALE	N.T.S.	DRAWING NUMBER	9424-0003	SHT	1	REV	D
DRAWN	PCP	CHECKED				OF	4		



PLAN VIEW - UPPER LEVEL

D	9/28/18	AEB	18.071
C	2/13/13	AEB	12.101
B	11/21/00	MRR	00.029
A	9/29/00	MN	00.019
REV	DATE	BY	ECN
REVISIONS			

NOTES:

- 1.) ALL DIMENSIONS SHOWN REPRESENTATIVE OF AVERAGE APPLICATIONS. THESE DIMENSIONS WILL CHANGE BASED ON APPLICATION SPECIFIC CONDITIONS.
- 2.) CONSULT FACTORY BEFORE CONSTRUCTION OF PIT.
- 3.) IF CARRIAGE IS OVER 8'-0" SQ. & 4000#, CONSULT FACTORY.
- 4.) LOAD HEIGHT IS RELEVANT TO THE OVERALL HEIGHT OF THIS UNIT.



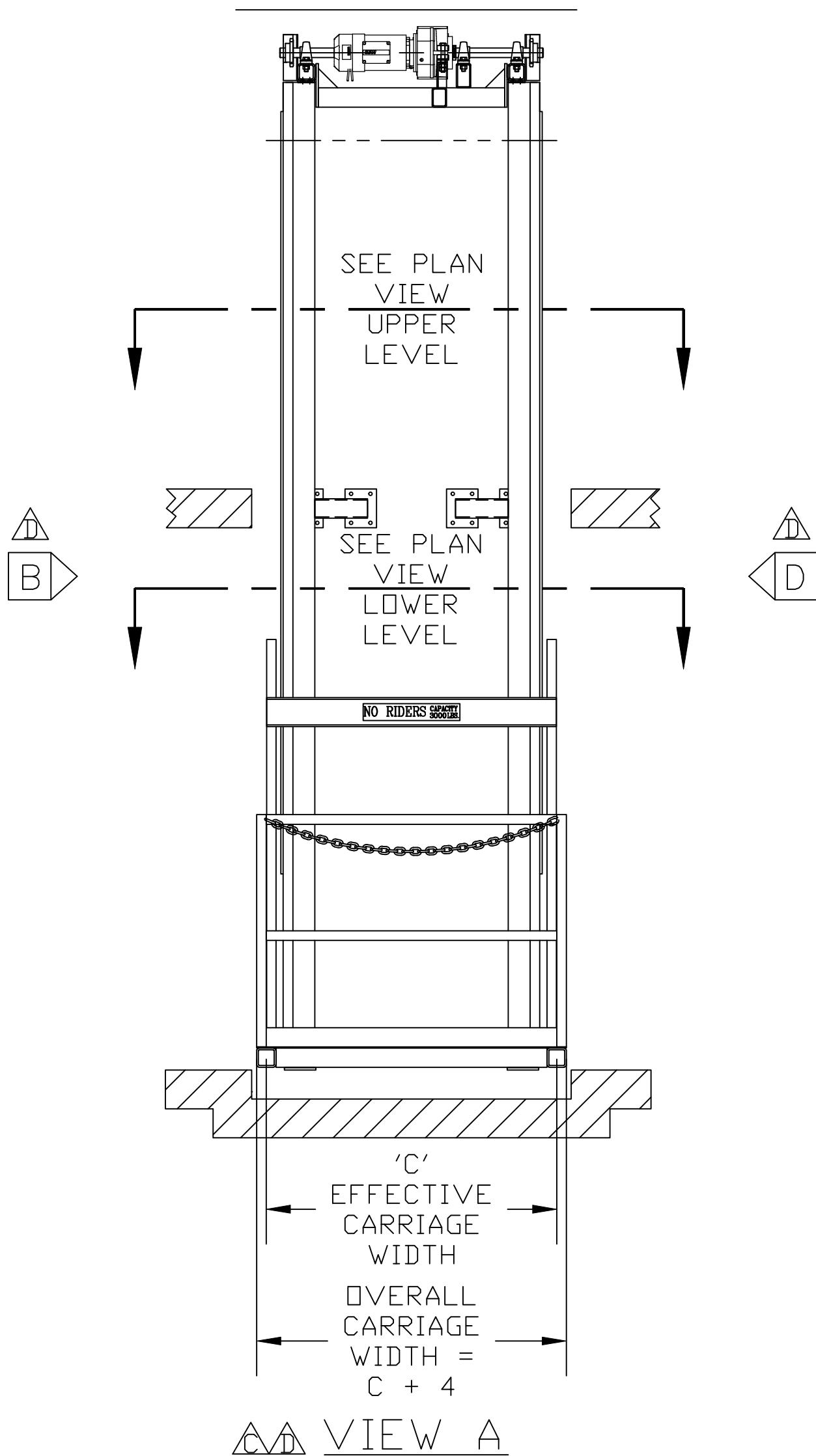
MATERIAL HANDLING SOLUTIONS

6720 N. TEUTONIA AVE.
MILWAUKEE, WI 53209
P (414) 352-9000
F (414) 352-9002

THIS PRINT INCLUDING THE DESIGN AND PRINCIPLES OF CONSTRUCTION IS THE PROPERTY OF PFLOW INDUSTRIES, INC. AND MUST BE RETURNED ON DEMAND. THE INFORMATION CONTAINED HEREON IS CONFIDENTIAL AND MAY NOT BE USED NOR DIVULGED WITHOUT PERMISSION OF PFLOW INDUSTRIES, INC.

TITLE **SERIES M (CANTILEVER)
DIMENSIONAL INFORMATION**

DATE	3/19/96	SCALE	N.T.S.	DRAWING NUMBER	9424-0003	SHT	2	REV	D
DRAWN	PCP	CHECKED				OF	4		



VIEW A

REV	DATE	BY	ECN
D	9/28/18	AEB	18.071
C	2/13/13	AEB	12.101
B	11/21/00	MRR	00.029
A	9/29/00	MN	00.019

REVISIONS

NOTES:

- 1.) ALL DIMENSIONS SHOWN REPRESENTATIVE OF AVERAGE APPLICATIONS. THESE DIMENSIONS WILL CHANGE BASED ON APPLICATION SPECIFIC CONDITIONS.
- 2.) CONSULT FACTORY BEFORE CONSTRUCTION OF PIT.
- 3.) IF CARRIAGE IS OVER 8'-0" SQ. & 4000#, CONSULT FACTORY.
- 4.) LOAD HEIGHT IS RELEVANT TO THE OVERALL HEIGHT OF THIS UNIT.

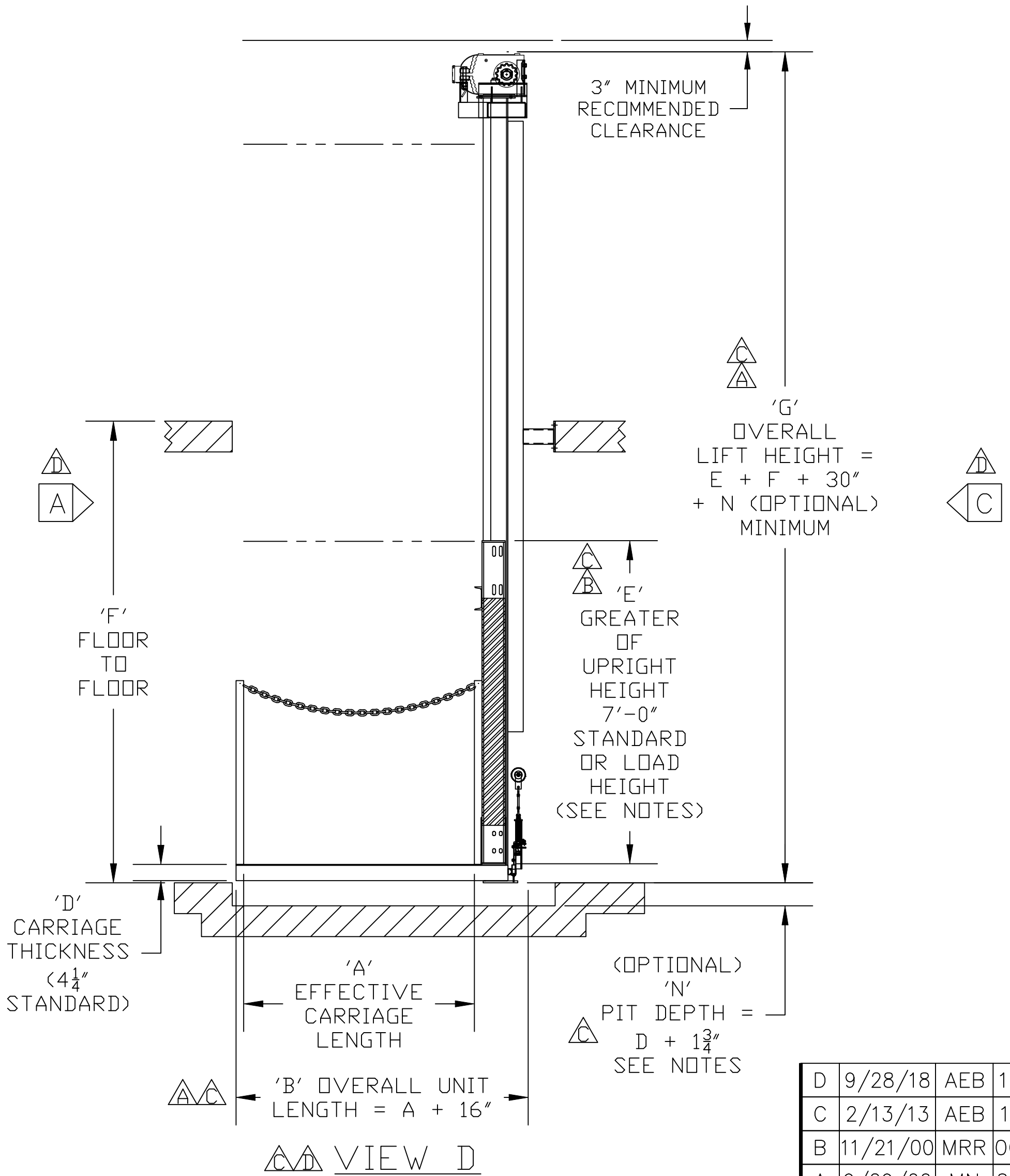


MATERIAL HANDLING SOLUTIONS

6720 N. TEUTONIA AVE.
MILWAUKEE, WI 53209
P (414) 352-9000
F (414) 352-9002

THIS PRINT INCLUDING THE DESIGN AND PRINCIPLES OF CONSTRUCTION IS THE PROPERTY OF PFLOW INDUSTRIES, INC. AND MUST BE RETURNED ON DEMAND. THE INFORMATION CONTAINED HEREON IS CONFIDENTIAL AND MAY NOT BE USED NOR DIVULGED WITHOUT PERMISSION OF PFLOW INDUSTRIES, INC.

TITLE		SERIES M (CANTILEVER) DIMENSIONAL INFORMATION		
DATE	3/19/96	SCALE	N.T.S.	DRAWING NUMBER
DRAWN	PCP	CHECKED		9424-0003
SHT	3	REV		
OF	4			D



VIEW D

D	9/28/18	AEB	18.071
C	2/13/13	AEB	12.101
B	11/21/00	MRR	00.029
A	9/29/00	MN	00.019
REV	DATE	BY	ECN
REVISIONS			

NOTES:

- 1.) ALL DIMENSIONS SHOWN REPRESENTATIVE OF AVERAGE APPLICATIONS. THESE DIMENSIONS WILL CHANGE BASED ON APPLICATION SPECIFIC CONDITIONS.
- 2.) CONSULT FACTORY BEFORE CONSTRUCTION OF PIT.
- 3.) IF CARRIAGE IS OVER 8'-0" SQ. & 4000#, CONSULT FACTORY.
- 4.) LOAD HEIGHT IS RELEVANT TO THE OVERALL HEIGHT OF THIS UNIT.



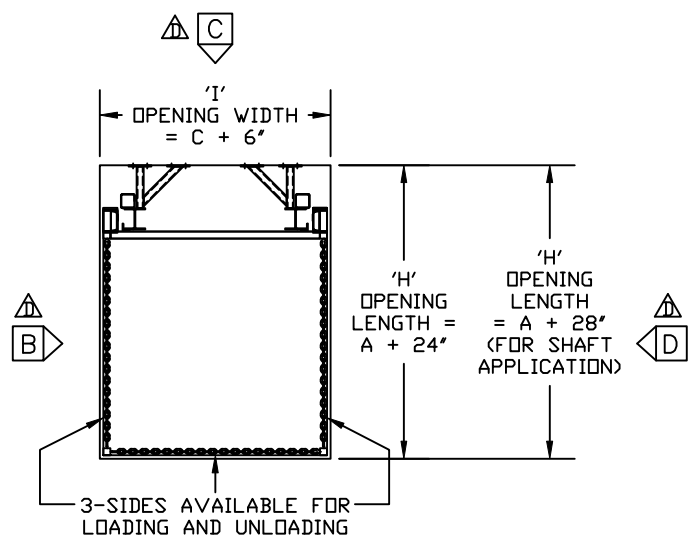
MATERIAL HANDLING SOLUTIONS

6720 N. TEUTONIA AVE.
MILWAUKEE, WI 53209
P (414) 352-9000
F (414) 352-9002

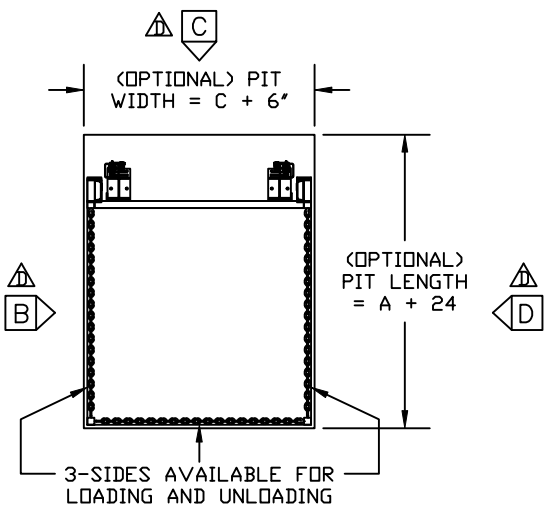
THIS PRINT INCLUDING THE DESIGN AND PRINCIPLES OF CONSTRUCTION IS THE PROPERTY OF PFLOW INDUSTRIES, INC. AND MUST BE RETURNED ON DEMAND. THE INFORMATION CONTAINED HEREON IS CONFIDENTIAL AND MAY NOT BE USED NOR DIVULGED WITHOUT PERMISSION OF PFLOW INDUSTRIES, INC.

TITLE: SERIES M (CANTILEVER) DIMENSIONAL INFORMATION

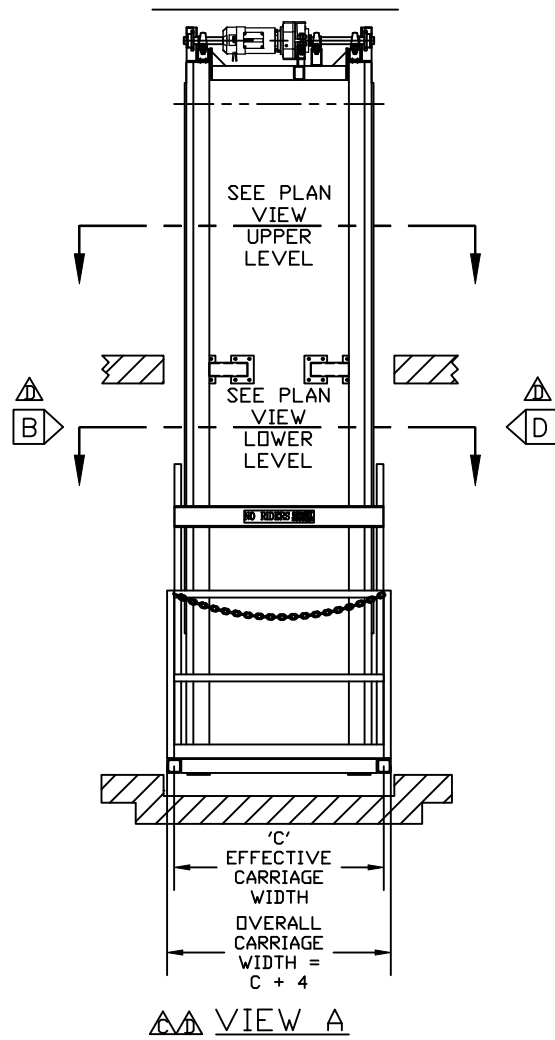
DATE	3/19/96	SCALE	N.T.S.	DRAWING NUMBER	9424-0003	SHT	4	REV	D
DRAWN	PCP	CHECKED				OF	4		



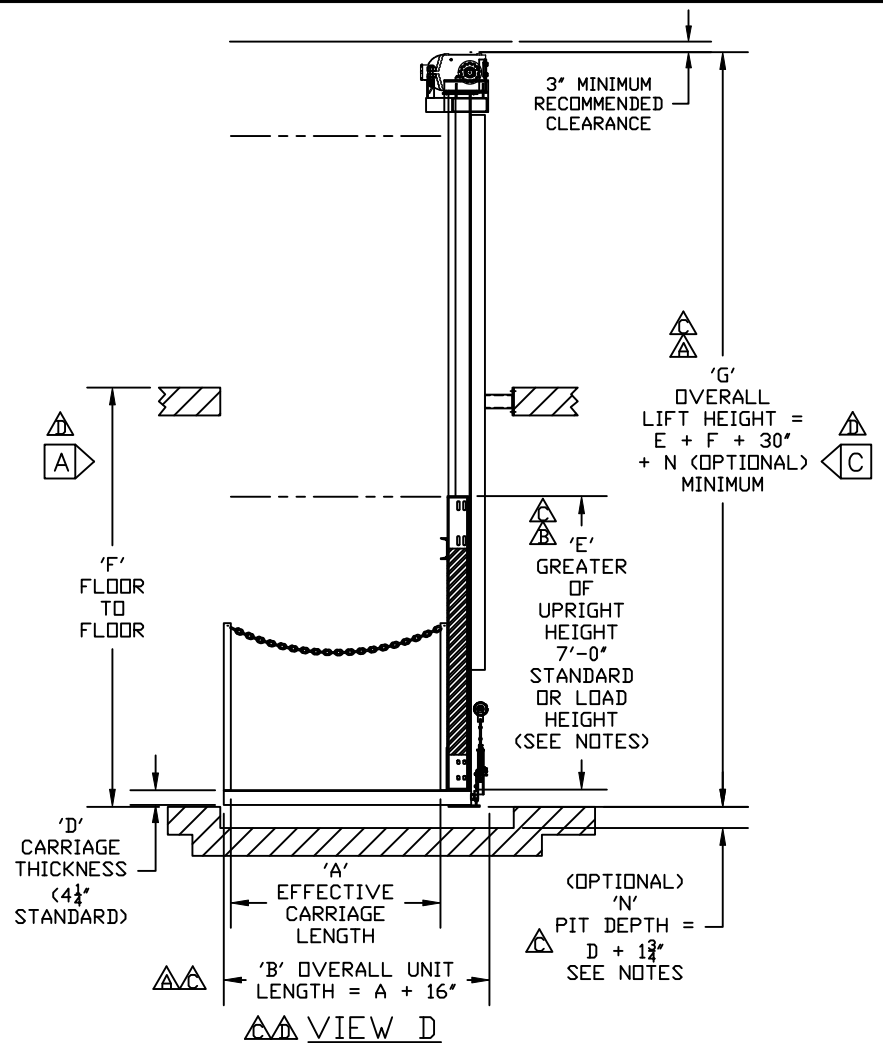
PLAN VIEW - UPPER LEVEL



PLAN VIEW - LOWER LEVEL



VIEW A



VIEW D

- NOTES:**
- 1.) ALL DIMENSIONS SHOWN REPRESENTATIVE OF AVERAGE APPLICATIONS. THESE DIMENSIONS WILL CHANGE BASED ON APPLICATION SPECIFIC CONDITIONS.
 - 2.) CONSULT FACTORY BEFORE CONSTRUCTION OF PIT.
 - 3.) IF CARRIAGE IS OVER 8'-0" SQ. & 4000#, CONSULT FACTORY.
 - 4.) LOAD HEIGHT IS RELEVANT TO THE OVERALL HEIGHT OF THIS UNIT.



MATERIAL HANDLING SOLUTIONS

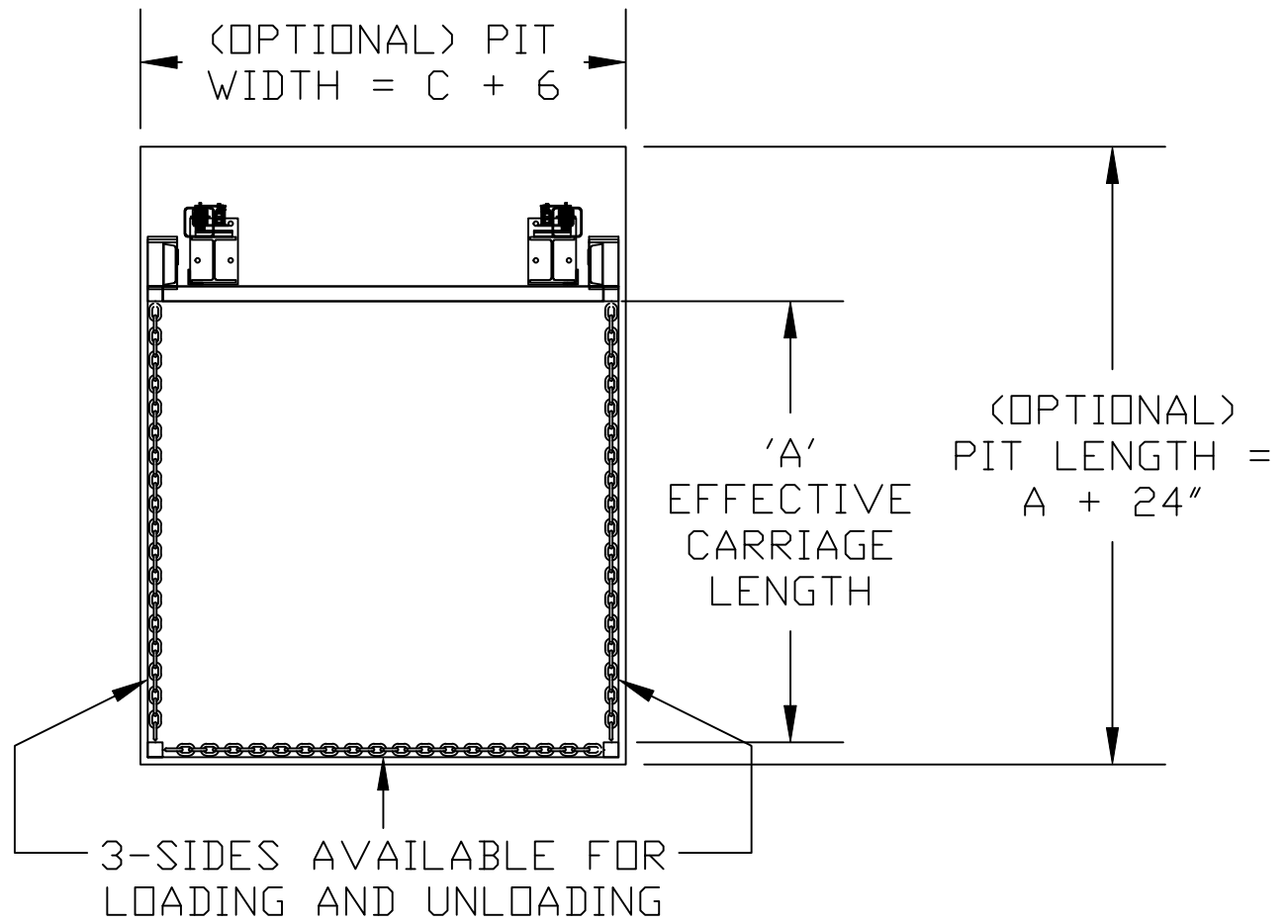
6720 N. TEUTONIA AVE.
MILWAUKEE, WI 53209
P (414) 352-9000
F (414) 352-9002

THIS PRINT INCLUDING THE DESIGN AND PRINCIPLES OF CONSTRUCTION IS THE PROPERTY OF PFLOW INDUSTRIES, INC. AND MUST BE RETURNED ON DEMAND. THE INFORMATION CONTAINED HEREON IS CONFIDENTIAL AND MAY NOT BE USED NOR DIVULGED WITHOUT PERMISSION OF PFLOW INDUSTRIES, INC.

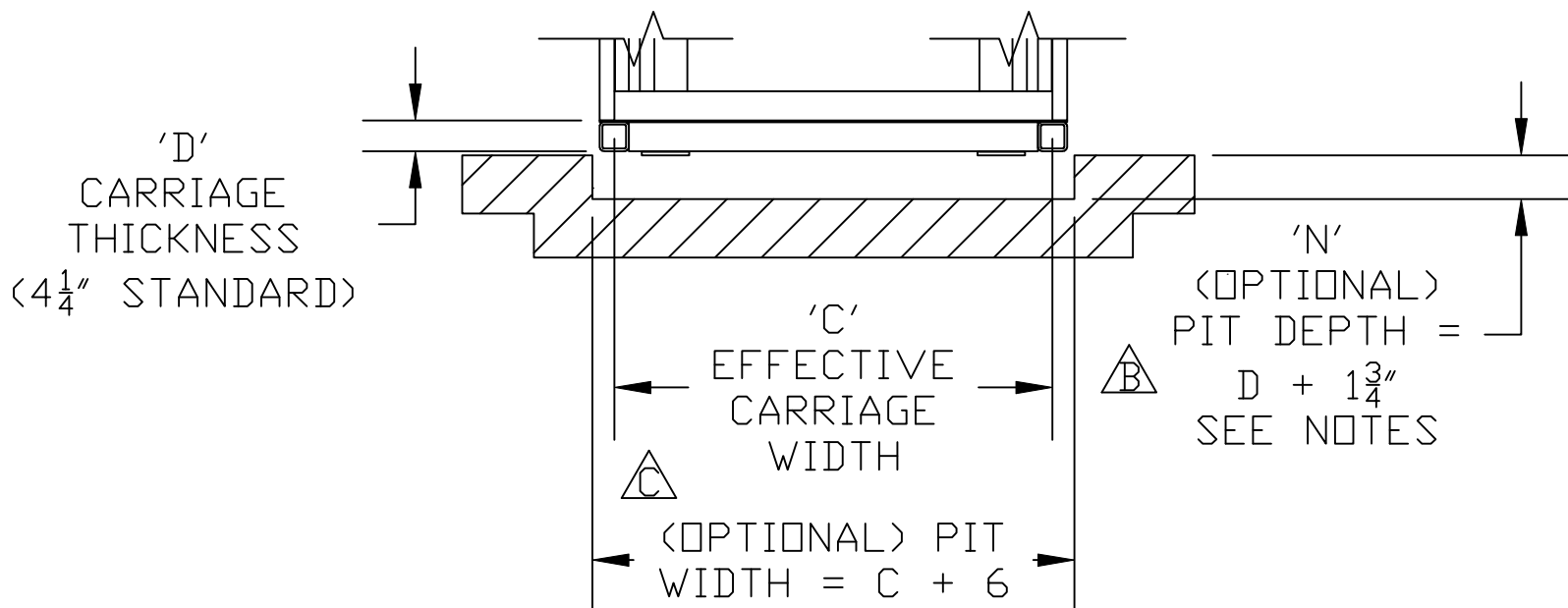
D	9/28/18	AEB	18.071
C	2/13/13	AEB	12.101
B	11/21/00	MRR	00.029
A	9/29/00	MN	00.019

TITLE: **SERIES M (CANTILEVER) DIMENSIONAL INFORMATION**

DATE	3/19/96	SCALE	N.T.S.	DRAWING NUMBER	9424-0003	SHT	1	REV	D
REVISIONS	DRAWN	PCP	CHECKED			OF	1		



PLAN VIEW - LOWER LEVEL



VIEW A

C	9/28/18	AEB	18.071
B	2/13/13	AEB	12.101
A	3/5/03	DMB	03.007
REV	DATE	BY	ECN
REVISIONS			

NOTES:

- 1.) ALL DIMENSIONS SHOWN REPRESENTATIVE OF AVERAGE APPLICATIONS. THESE DIMENSIONS WILL CHANGE BASED ON APPLICATION SPECIFIC CONDITIONS.
- 2.) CONSULT FACTORY BEFORE CONSTRUCTION OF PIT.
- 3.) IF CARRIAGE IS OVER 8'-0" SQ. & 4000#, CONSULT FACTORY.



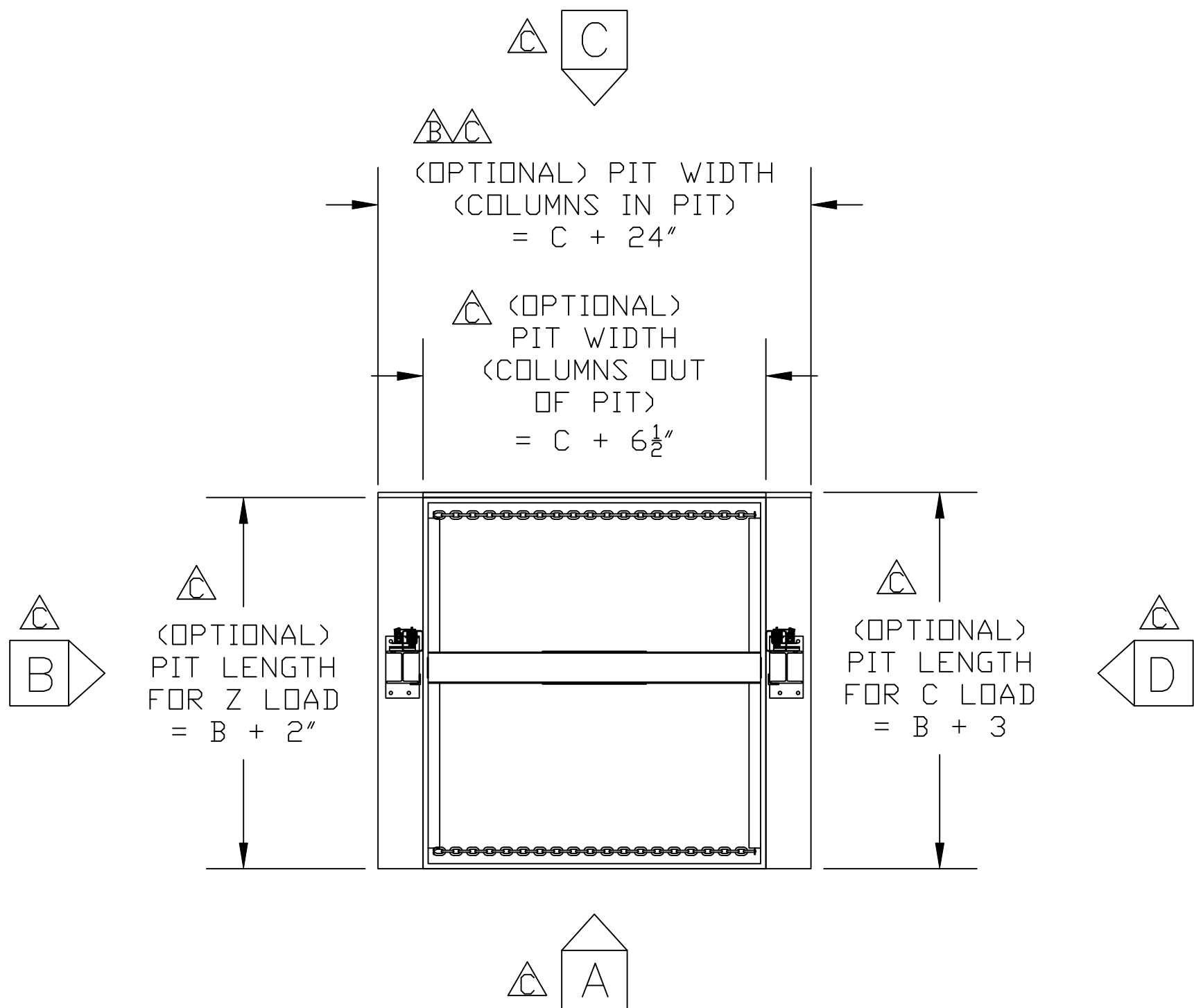
MATERIAL HANDLING SOLUTIONS

6720 N. TEUTONIA AVE.
MILWAUKEE, WI 53209
P (414) 352-9000
F (414) 352-9002

THIS PRINT INCLUDING THE DESIGN AND PRINCIPLES OF CONSTRUCTION IS THE PROPERTY OF PFLOW INDUSTRIES, INC. AND MUST BE RETURNED ON DEMAND. THE INFORMATION CONTAINED HEREON IS CONFIDENTIAL AND MAY NOT BE USED NOR DIVULGED WITHOUT PERMISSION OF PFLOW INDUSTRIES, INC.

TITLE
 SERIES M (CANTILEVER)
 PIT DIMENSIONAL INFORMATION

DATE	3/19/96	SCALE	N.T.S.	DRAWING NUMBER	9424-0003-PIT	SHT	1	REV	C
DRAWN	PCP	CHECKED				OF	1		



PLAN VIEW - LOWER LEVEL

C	7/24/18	AEB	18.071
B	2/12/13	AEB	12.101
A	9/29/00	MN	00.019
REV	DATE	BY	ECN
REVISIONS			

NOTES:

- 1.) ALL DIMENSIONS SHOWN REPRESENTATIVE OF AVERAGE APPLICATIONS. THESE DIMENSIONS WILL CHANGE BASED ON APPLICATION SPECIFIC CONDITIONS.
- 2.) CONSULT FACTORY BEFORE CONSTRUCTION OF PIT.
- 3.) IF CARRIAGE IS OVER 8'-0" SQ. & 4000#, CONSULT FACTORY.

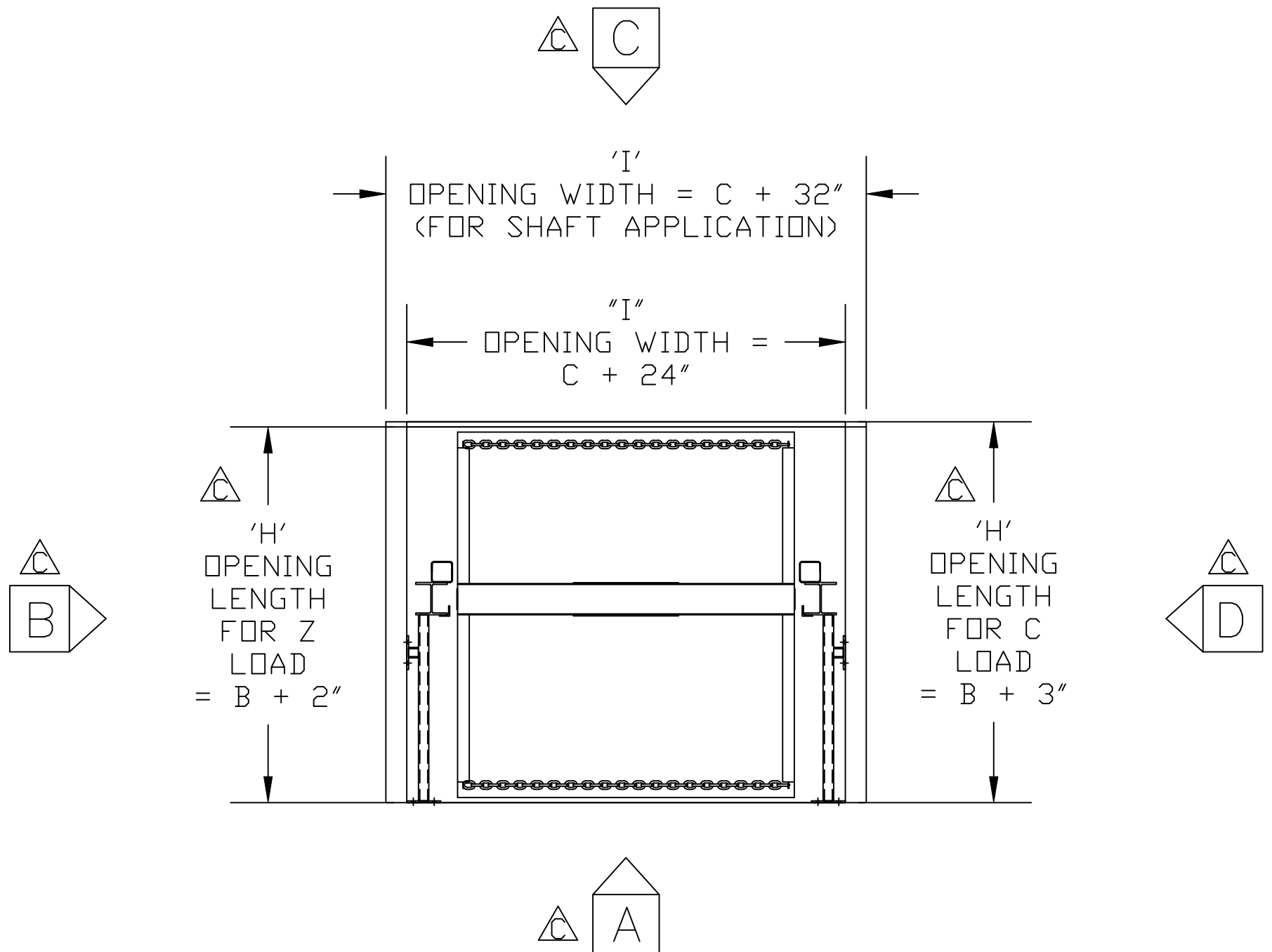


MATERIAL HANDLING SOLUTIONS

6720 N. TEUTONIA AVE.
 MILWAUKEE, WI 53209
 P (414) 352-9000
 F (414) 352-9002

THIS PRINT INCLUDING THE DESIGN AND PRINCIPLES OF CONSTRUCTION IS THE PROPERTY OF PFLOW INDUSTRIES, INC. AND MUST BE RETURNED ON DEMAND. THE INFORMATION CONTAINED HEREON IS CONFIDENTIAL AND MAY NOT BE USED NOR DIVULGED WITHOUT PERMISSION OF PFLOW INDUSTRIES, INC.

TITLE				
SERIES M (STRADDLE) DIMENSIONAL INFORMATION				
DATE	3/19/96	SCALE	N.T.S.	DRAWING NUMBER
DRAWN	PCP	CHECKED		9424-0002
SHT	1	REV	C	
OF	4			



PLAN VIEW - UPPER LEVEL

C	7/24/18	AEB	18.071
B	2/12/13	AEB	12.101
A	9/29/00	MN	00.019
REV	DATE	BY	ECN
REVISIONS			

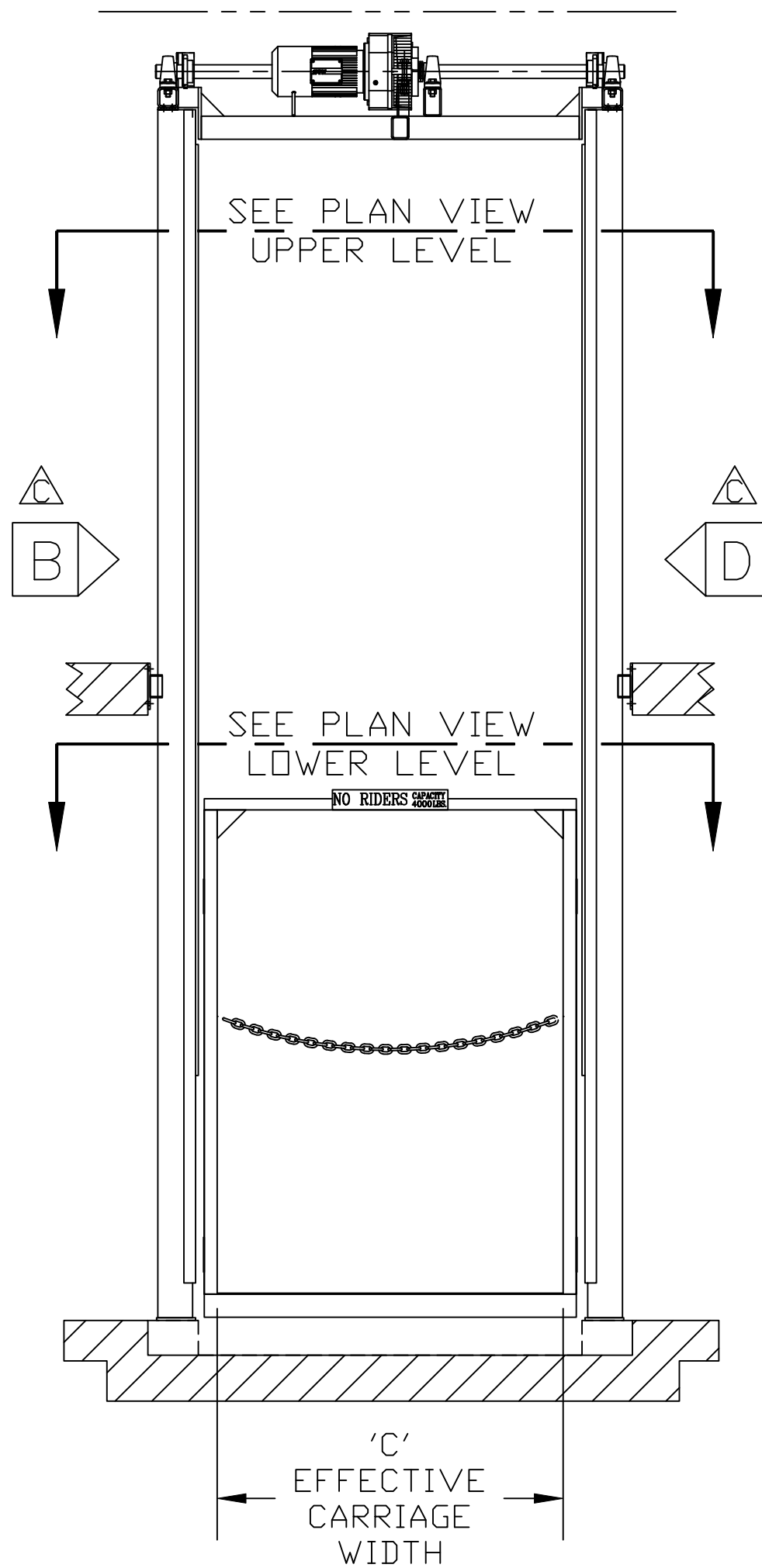
- NOTES:**
- 1.) ALL DIMENSIONS SHOWN REPRESENTATIVE OF AVERAGE APPLICATIONS. THESE DIMENSIONS WILL CHANGE BASED ON APPLICATION SPECIFIC CONDITIONS.
 - 2.) CONSULT FACTORY BEFORE CONSTRUCTION OF PIT.
 - 3.) IF CARRIAGE IS OVER 8'-0" SQ. & 4000#, CONSULT FACTORY.



MATERIAL HANDLING SOLUTIONS

6720 N. TEUTONIA AVE.
MILWAUKEE, WI 53209
P (414) 352-9000
F (414) 352-9002

THIS PRINT INCLUDING THE DESIGN AND PRINCIPLES OF CONSTRUCTION IS THE PROPERTY OF PFLOW INDUSTRIES, INC. AND MUST BE RETURNED ON DEMAND. THE INFORMATION CONTAINED HEREON IS CONFIDENTIAL AND MAY NOT BE USED NOR DIVULGED WITHOUT PERMISSION OF PFLOW INDUSTRIES, INC.				
TITLE SERIES M (STRADDLE) DIMENSIONAL INFORMATION				
DATE	3/19/96	SCALE	N.T.S.	DRAWING NUMBER
DRAWN	PCP	CHECKED		9424-0002
SHT	2	REV	C	
OF	4			



$\triangle B \triangle C$ VIEW A

C	7/24/18	AEB	18.071
B	2/12/13	AEB	12.101
A	9/29/00	MN	00.019
REV	DATE	BY	ECN
REVISIONS			

NOTES:

- 1.) ALL DIMENSIONS SHOWN REPRESENTATIVE OF AVERAGE APPLICATIONS. THESE DIMENSIONS WILL CHANGE BASED ON APPLICATION SPECIFIC CONDITIONS.
- 2.) CONSULT FACTORY BEFORE CONSTRUCTION OF PIT.
- 3.) IF CARRIAGE IS OVER 8'-0" SQ. & 4000#, CONSULT FACTORY.

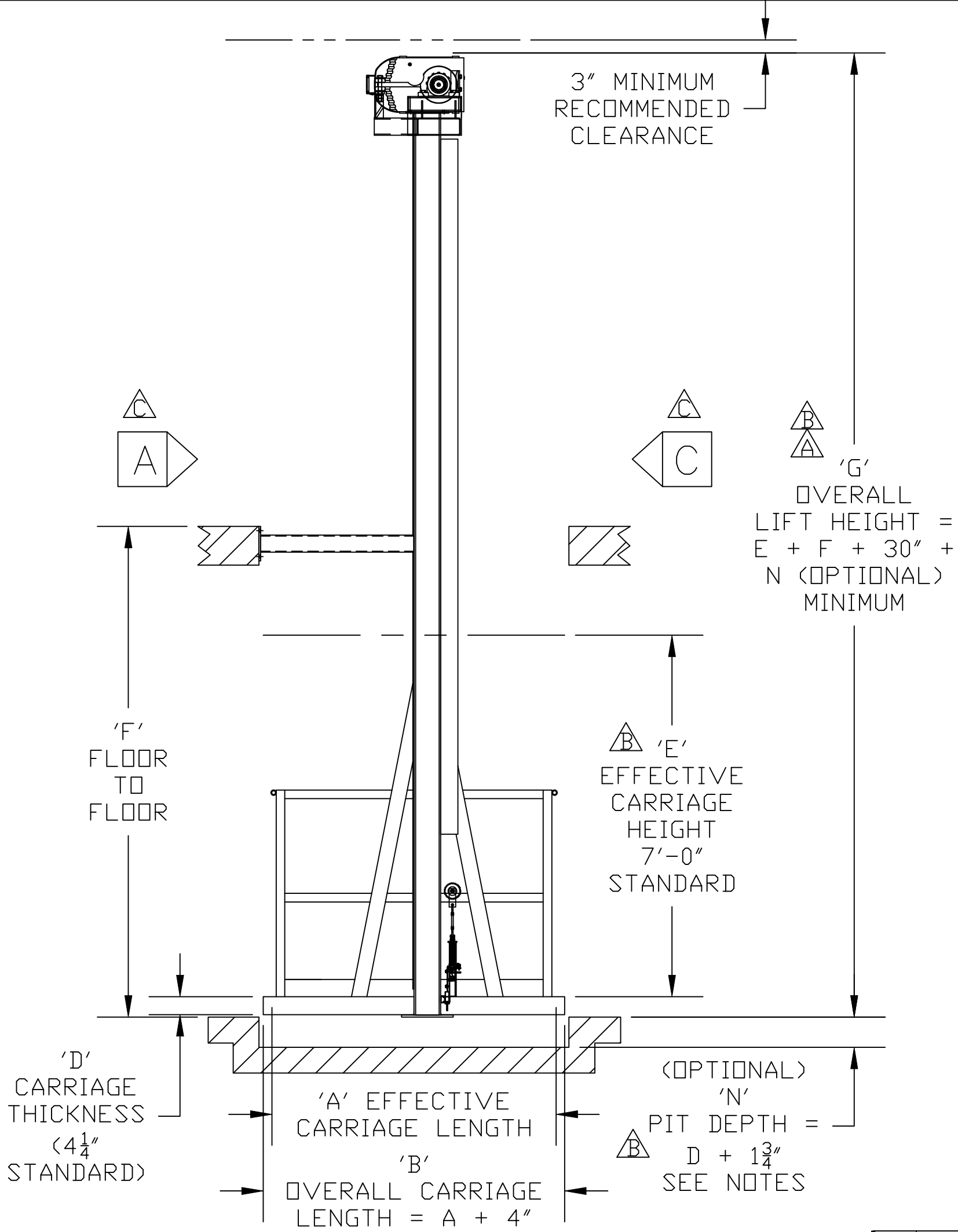


MATERIAL HANDLING SOLUTIONS

6720 N. TEUTONIA AVE.
MILWAUKEE, WI 53209
P (414) 352-9000
F (414) 352-9002

THIS PRINT INCLUDING THE DESIGN AND PRINCIPLES OF CONSTRUCTION IS THE PROPERTY OF PFLOW INDUSTRIES, INC. AND MUST BE RETURNED ON DEMAND. THE INFORMATION CONTAINED HEREON IS CONFIDENTIAL AND MAY NOT BE USED NOR DIVULGED WITHOUT PERMISSION OF PFLOW INDUSTRIES, INC.

TITLE					SERIES M (STRADDLE) DIMENSIONAL INFORMATION						
DATE	3/19/96	SCALE	N.T.S.	DRAWING NUMBER	9424-0002			SHT	3	REV	C
DRAWN	PCP	CHECKED					OF	4			



VIEW D

C	7/24/18	AEB	18.071
B	2/12/13	AEB	12.101
A	9/29/00	MN	00.019
REV	DATE	BY	ECN
REVISIONS			

- NOTES:**
- 1.) ALL DIMENSIONS SHOWN REPRESENTATIVE OF AVERAGE APPLICATIONS. THESE DIMENSIONS WILL CHANGE BASED ON APPLICATION SPECIFIC CONDITIONS.
 - 2.) CONSULT FACTORY BEFORE CONSTRUCTION OF PIT.
 - 3.) IF CARRIAGE IS OVER 8'-0" SQ. & 4000#, CONSULT FACTORY.

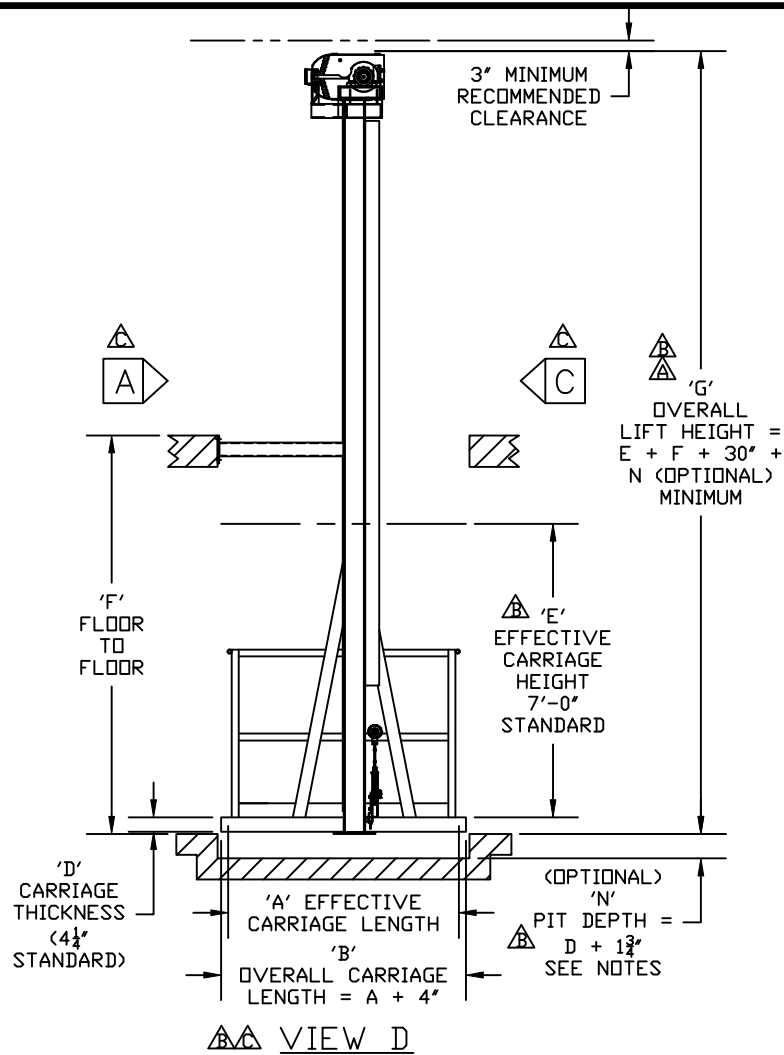
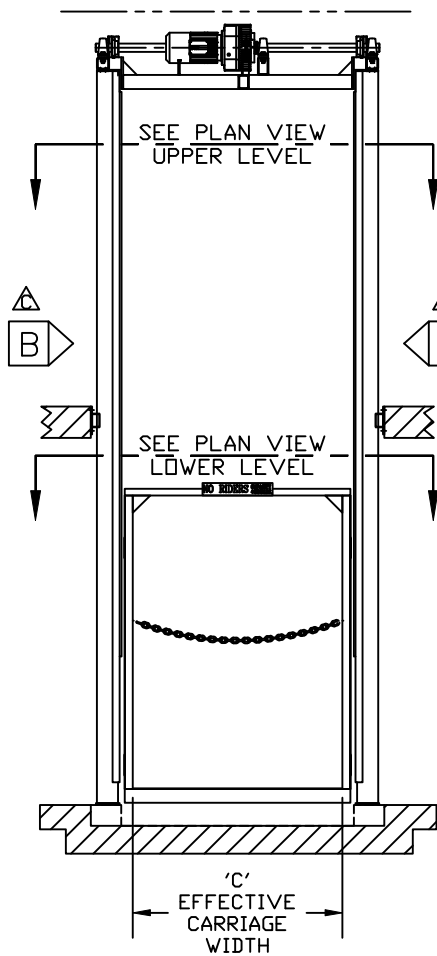
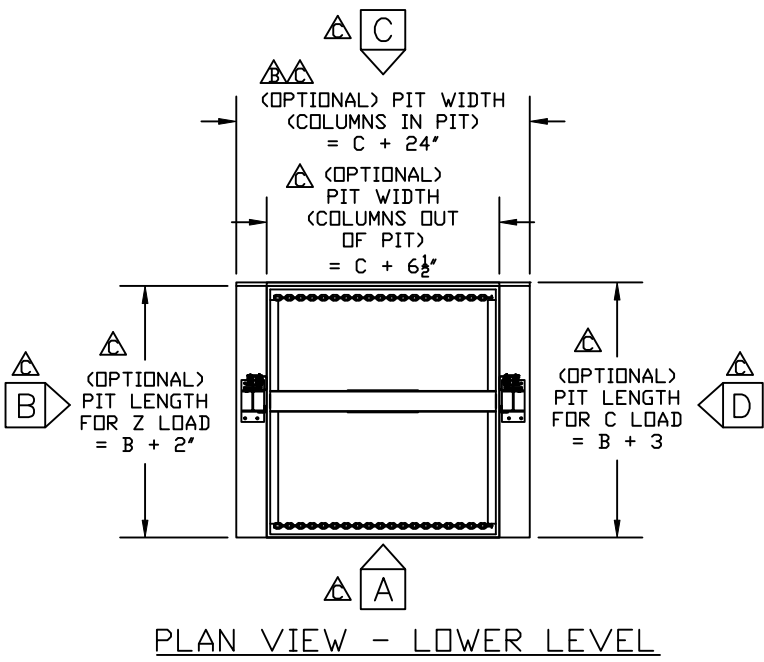
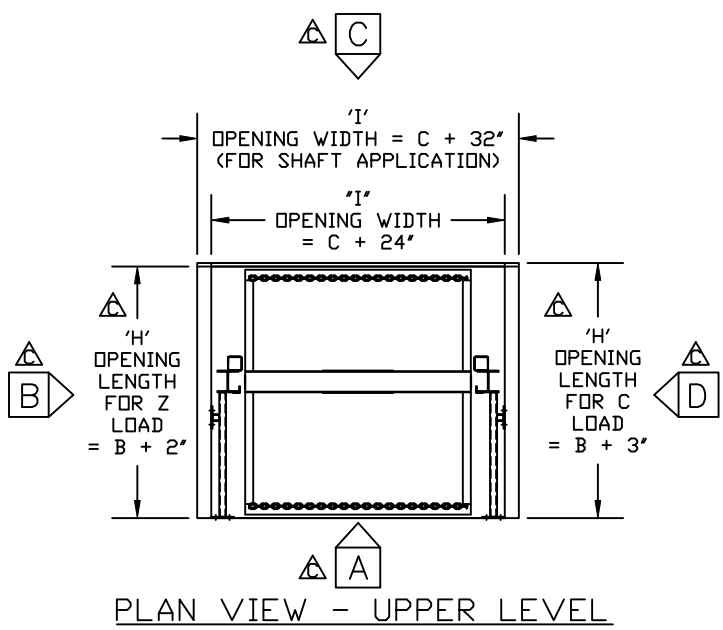


MATERIAL HANDLING SOLUTIONS

6720 N. TEUTONIA AVE.
MILWAUKEE, WI 53209
P (414) 352-9000
F (414) 352-9002

THIS PRINT INCLUDING THE DESIGN AND PRINCIPLES OF CONSTRUCTION IS THE PROPERTY OF PFLOW INDUSTRIES, INC. AND MUST BE RETURNED ON DEMAND. THE INFORMATION CONTAINED HEREON IS CONFIDENTIAL AND MAY NOT BE USED NOR DIVULGED WITHOUT PERMISSION OF PFLOW INDUSTRIES, INC.

TITLE					SERIES M (STRADDLE) DIMENSIONAL INFORMATION						
DATE	3/19/96	SCALE	N.T.S.	DRAWING NUMBER	9424-0002			SHT	4	REV	C
DRAWN	PCP	CHECKED						OF	4		

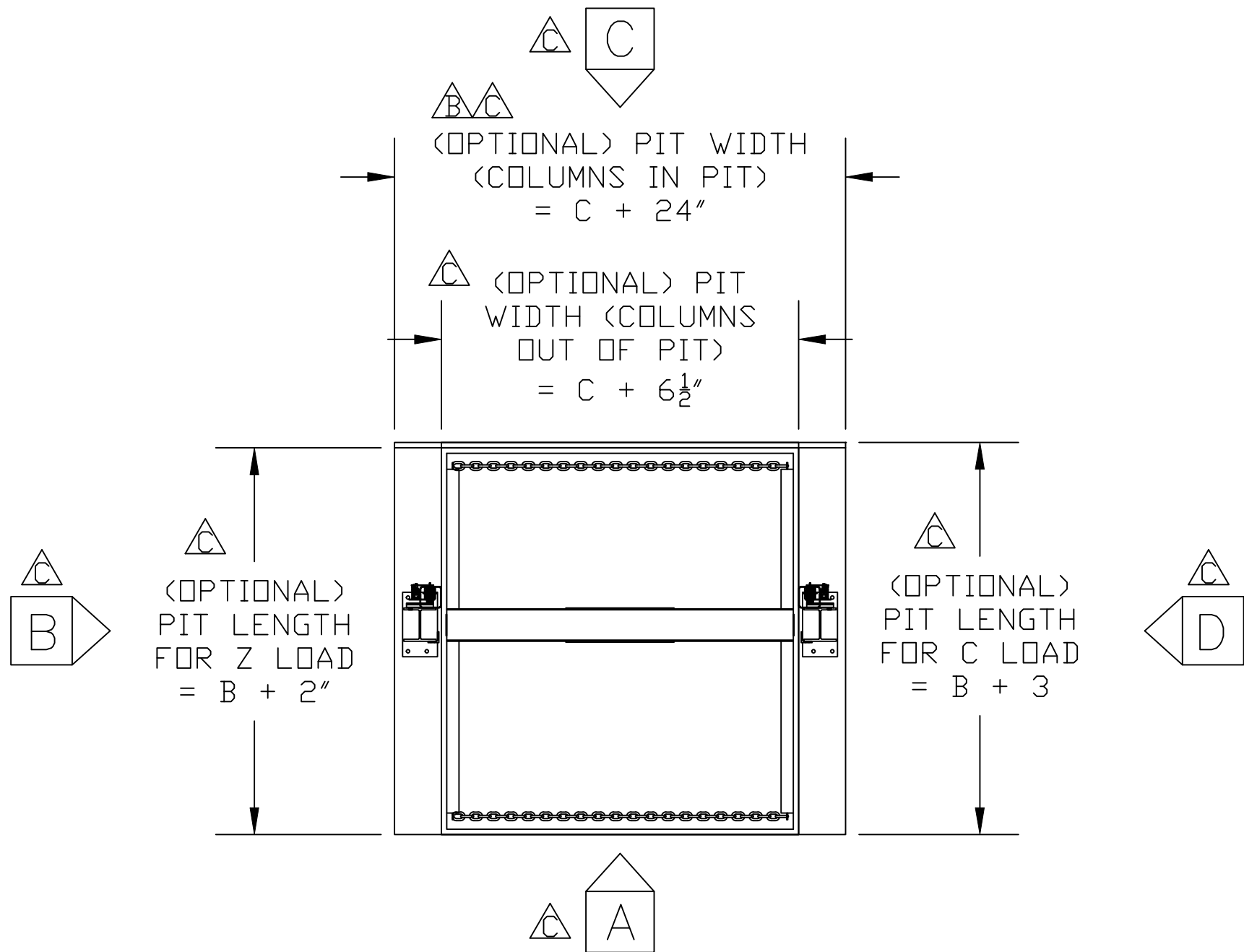


- NOTES:
- 1.) ALL DIMENSIONS SHOWN REPRESENTATIVE OF AVERAGE APPLICATIONS. THESE DIMENSIONS WILL CHANGE BASED ON APPLICATION SPECIFIC CONDITIONS.
 - 2.) CONSULT FACTORY BEFORE CONSTRUCTION OF PIT.
 - 3.) IF CARRIAGE IS OVER 8'-0\"/>

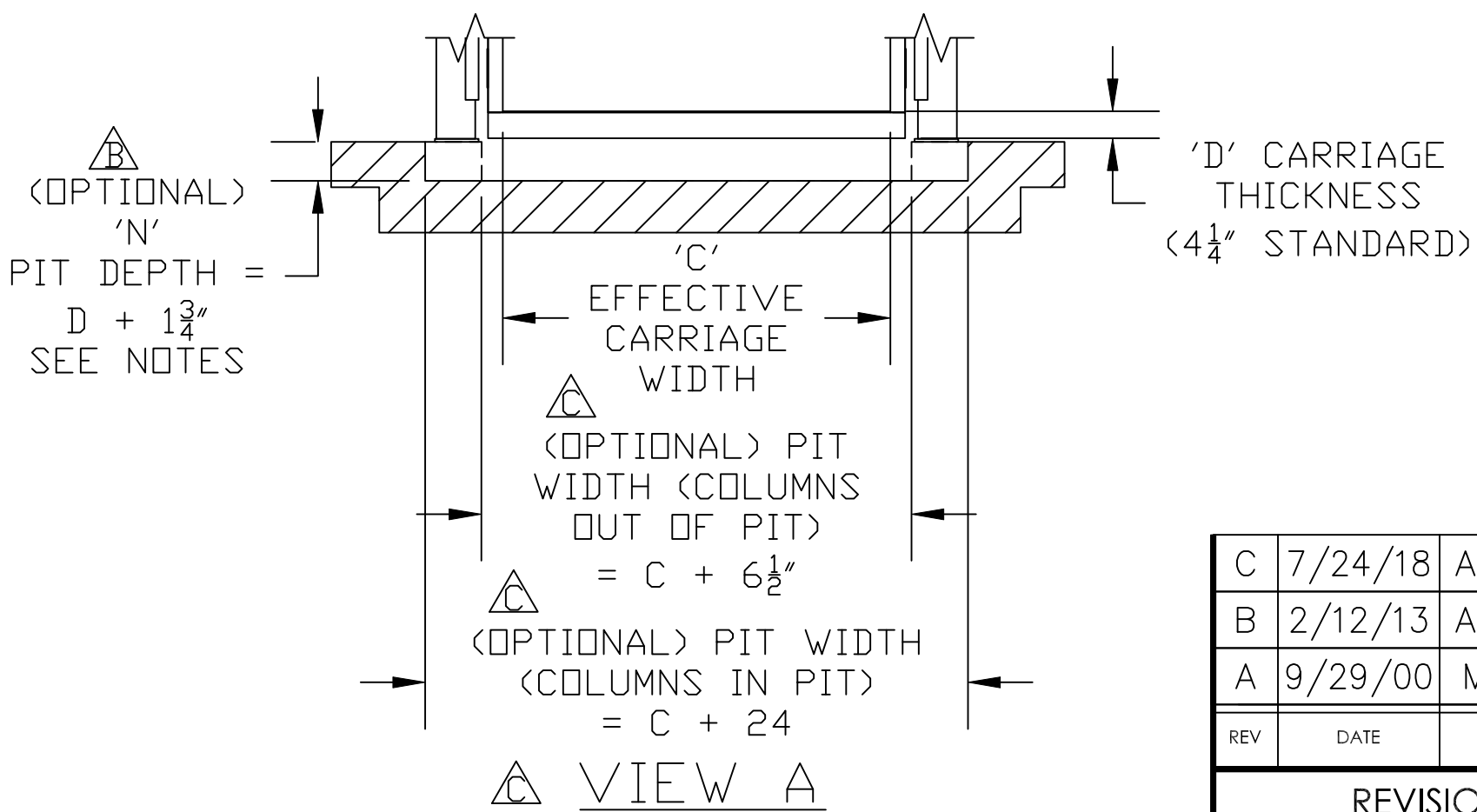
PFLOW MATERIAL HANDLING SOLUTIONS
 6720 N. TEUTONIA AVE.
 MILWAUKEE, WI 53209
 P (414) 352-9000
 F (414) 352-9002

THIS PRINT INCLUDING THE DESIGN AND PRINCIPLES OF CONSTRUCTION IS THE PROPERTY OF PFLOW INDUSTRIES, INC. AND MUST BE RETURNED ON DEMAND. THE INFORMATION CONTAINED HEREON IS CONFIDENTIAL AND MAY NOT BE USED NOR DIVULGED WITHOUT PERMISSION OF PFLOW INDUSTRIES, INC.

REV	DATE	BY	ECN	DATE	SCALE	DRAWING NUMBER	SHT	REV
C	7/24/18	AEB	18.071	3/19/96	N.T.S.	9424-0002	1	C
B	2/12/13	AEB	12.101				OF	
A	9/29/00	MN	00.019				1	
REVISIONS				DRAWN	CHECKED			
				AEB				



PLAN VIEW - LOWER LEVEL



C	7/24/18	AEB	18.071
B	2/12/13	AEB	12.101
A	9/29/00	MN	00.019
REV	DATE	BY	ECN
REVISIONS			

NOTES:

- 1.) ALL DIMENSIONS SHOWN REPRESENTATIVE OF AVERAGE APPLICATIONS. THESE DIMENSIONS WILL CHANGE BASED ON APPLICATION SPECIFIC CONDITIONS.
- 2.) CONSULT FACTORY BEFORE CONSTRUCTION OF PIT.
- 3.) IF CARRIAGE IS OVER 8'-0" SQ. & 4000#, CONSULT FACTORY.



MATERIAL HANDLING SOLUTIONS

6720 N. TEUTONIA AVE.
MILWAUKEE, WI 53209
P (414) 352-9000
F (414) 352-9002

THIS PRINT INCLUDING THE DESIGN AND PRINCIPLES OF CONSTRUCTION IS THE PROPERTY OF PFLOW INDUSTRIES, INC. AND MUST BE RETURNED ON DEMAND. THE INFORMATION CONTAINED HEREON IS CONFIDENTIAL AND MAY NOT BE USED NOR DIVULGED WITHOUT PERMISSION OF PFLOW INDUSTRIES, INC.

TITLE					SERIES M (STRADDLE) PIT DIMENSIONAL INFORMATION					
DATE	8/31/01	SCALE	N.T.S.	DRAWING NUMBER	9424-0002-PIT			SHT	1	
DRAWN	BL	CHECKED					OF	1	REV	C