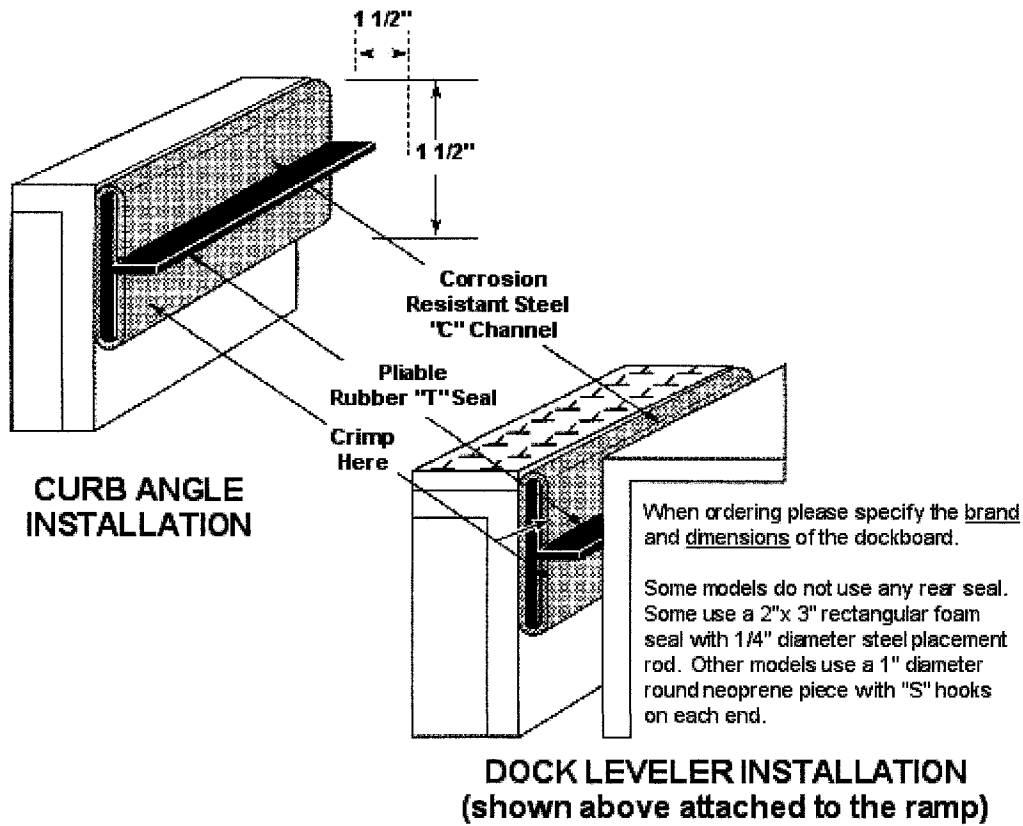

Weatherguard 1A Curb Angle Installation & Dock Leveler Installation



- ❶ Weatherguard can be used with any pit type dock leveler.
- ❷ Weatherguard's unique design allows you to change the "T" rubber seal with simple tools.
- ❸ Weatherguard's snug fitting construction keeps mother nature where you want it.
- ❹ Weatherguard's minimal investment provides maximum returns.

Weatherguard

is constructed of a corrosion resistant steel channel to ensure longevity. The "T" insert is a pliable rubber seal projecting out along the entire length of the dock leveler sealing the ramp on both sides.

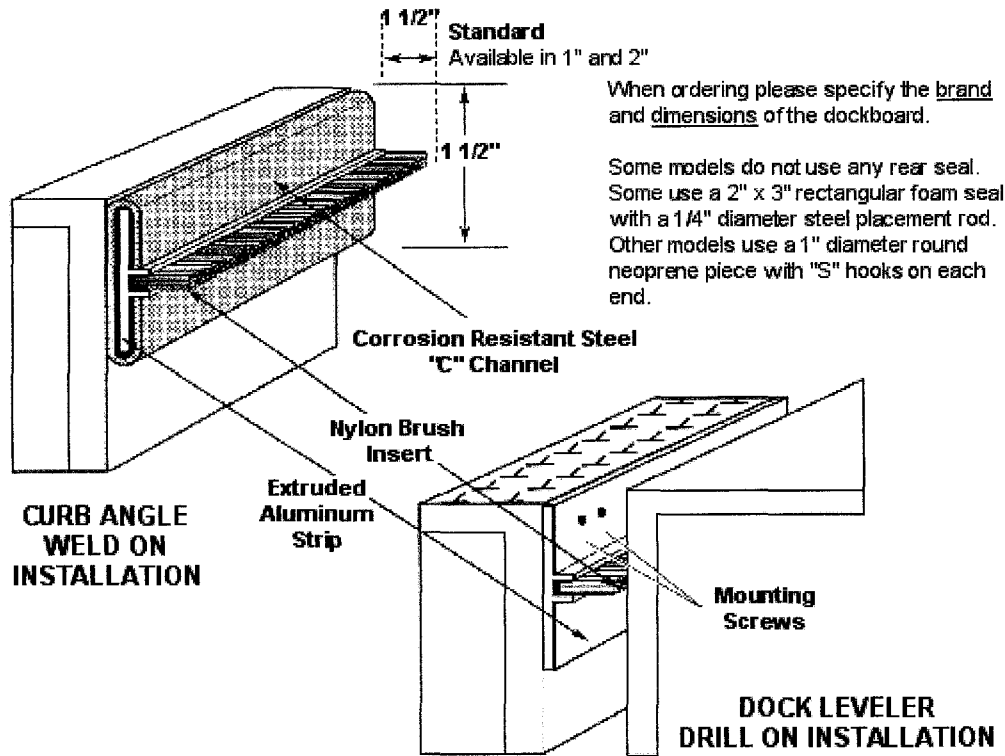
Installation procedure:

- a. Tack weld the channel to the dock board or along the curb of the pit wall if supplied.
- b. Install rear seal. (If supplied).

Weatherguard ...

- reduces heating & air conditioning costs
- helps keep rodents out
- keeps dock leveler pits clean
- is easy to install and replace
- is energy conscious

Brush Weatherguard 2A Weld On Installation & Drill On Installation



Brush Weatherguard

- ❶ **Brush Weatherguard** can be used with any pit type dock leveler.
- ❷ **Brush Weatherguard** is an added dimension of protection for curb angles and dock boards. Two different design options of weld on or drill on can be specified for curb angle and dock board installations.
- ❸ **Brush Weatherguard's snug fitting construction keeps mother nature where you want it.**
- ❹ **Brush Weatherguard's** minimal investment provides maximum returns.

Brush Weatherguard's unique design allows you to change the brush insert with simple tools.

Brush Weatherguard consists of a nylon brush with a steel backing. It is assembled into an aluminum mounting channel which can either be screwed to the dockleveler or slid into a steel channel which can be tack welded to either the dockleveler or the curb angle. Compressible rear seals are available for certain maeks of docklevelers.

Installation procedure is simple:

Drill on **Brush Weatherguard**

- a. Secure the aluminum mounting strip to the dock board by drilling and attaching with screws. (Not supplied).
- b. Slide the brush seal into position and trim to required length.
- c. Install rear seal.

Brush Weatherguard ...

- reduces heating and air conditioning costs
- helps keep rodents out
- helps keep dock leveler pits clean
- is easy to install and replace
- is energy conscious